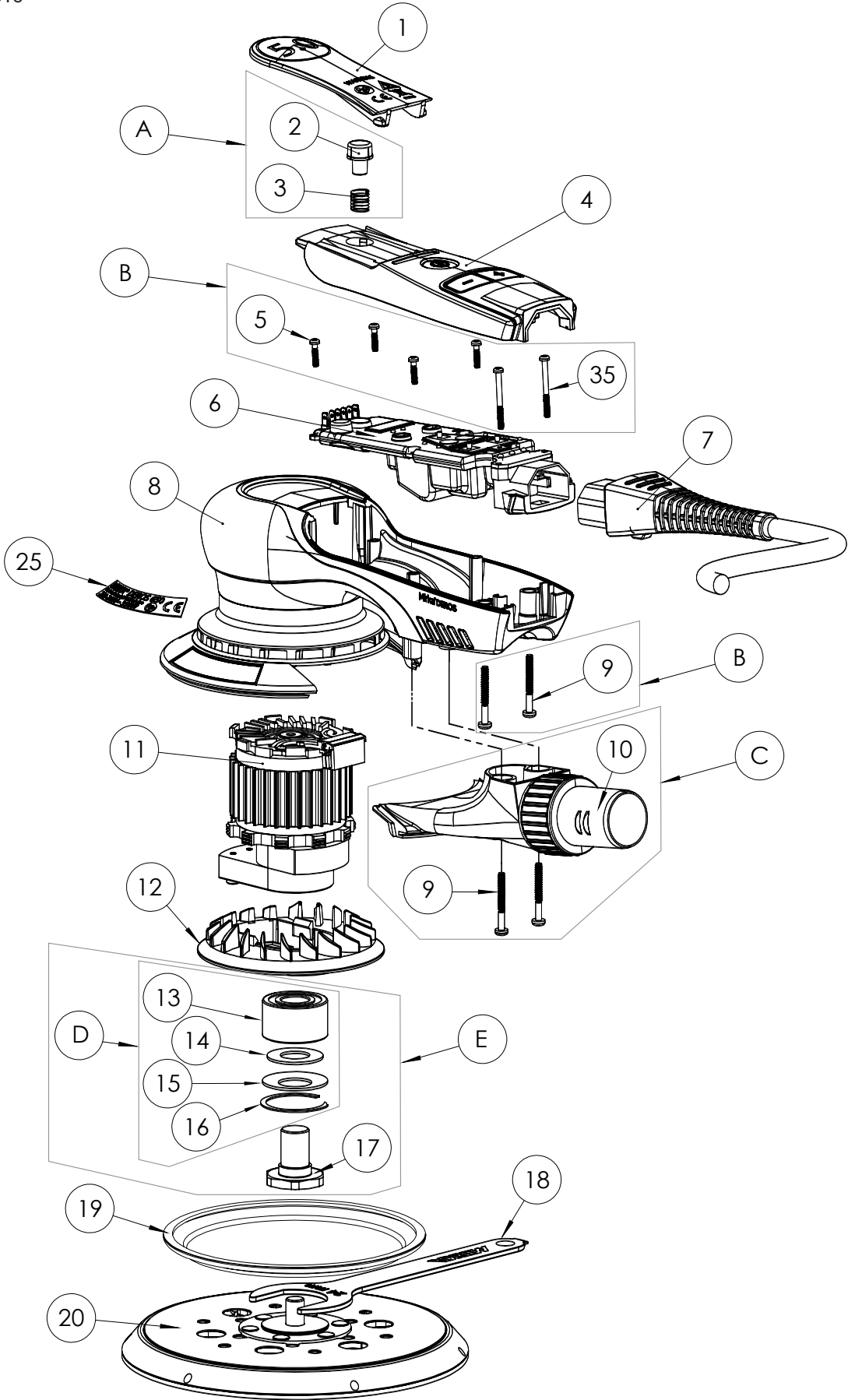


# Exploded view of DEROS 125 mm & 150 mm (220-240V)

Updated 29.11.2016



## DEROS Spare part kits (220-240V)

Electrical tool must be serviced by a qualified repair person and in accordance with national requirements.

**Note!** Repairs done by non-authorized repairer will breach the Mirka warranty

Mirka code	Item	Description	Qty	Kit
<b>MIE6520211</b>		<b>Start Button Kit</b>		
	2	Start Button	1	<b>A</b>
	3	Start Button Spring	1	
<b>MIE6520511</b>		<b>Screw Kit</b>		
	5	Screws <sup>1)</sup>	4	<b>B</b>
	9	Housing screws <sup>2)</sup>	2	
	35	Screws <sup>1)</sup>	2	
<b>MIE6521011</b>		<b>Swivel Exhaust Kit</b>		
	9	Housing screws <sup>3)</sup>	2	<b>C</b>
	10	Swivel Exhaust	1	
<b>8995690011</b>		<b>Spindle Bearing Kit</b>		
	13	Double Row Bearing	1	
	14	Felt Washer	1	<b>D</b>
	15	Washer	1	
	16	Retaining Ring	1	
<b>8995690141</b>		<b>Spindle &amp; Bearing Assembly</b>		
	13	Double Row Bearing	1	
	14	Felt Washer	1	<b>E</b>
	15	Washer	1	
	16	Retaining Ring	1	
	17	Spindle 5/16"	1	
<b>8995690101</b>		<b>Balancing Screw Kit</b>		
		Screws	5	<b>X</b>
		Nut	3	
		Hex Key	1	
<b>MIE6522511</b>	25	<b>Type Label Kit EU (550, 625, 650, 680)</b>	40	<b>X</b>
<b>MIE6522511CN</b>	25	<b>Type Label Kit CN (625, 650)</b>	20	<b>X</b>

1) Tightening torque 0,6 Nm

2) Tightening torque 1,4 Nm

3) Tightening torque 1,5 Nm

Separate spareparts on next page

## DEROS Spare parts (220-240V)

Mirka code	Item	Description	Qty	Kit
MIE6210111	1	Lever 2,5 mm (150 mm)	1	
MIE6510111	1	Lever 5,0 mm (125 & 150 mm)	1	
MIE6810111	1	Lever 8,0 mm (150 mm)	1	
	2	Start Button	1	A
	3	Start Button Spring	1	A
MIE6510411	4	Cover Plate	1	
	5	Screws	4	B
MIE6510611	6	Speed Controller *	1	
MIE6516011	7	Mains Cable 4,3 m CE 230V	1	
MIE6517011	7	Mains Cable 4,3 m CE 230V UK	1	
MIE6517411	7	Mains Cable 4,3 m CE 230 V CN	1	
MIE6520811	8	Housing	1	
	9	Housing Screws	2, 2	B, C
	10	Swivel Exhaust	1	C
MIE5521111	11	Motor 5,0 mm/100 q Pad (125 mm) 4)*	1	
MIE6221111	11	Motor 2,5 mm/130 q Pad (150 mm) 4)*	1	
MIE6521111	11	Motor 5,0 mm/130 q Pad (150 mm) 4)*	1	
MIE6821111	11	Motor 8,0 mm/130 q Pad (150 mm) 4)*	1	
MIE65111B1	11-B	Ground Wire	1	
MIE5511211	12	Fan 5,0 mm/100 g Pad (125 mm)	1	
MIE6211211	12	Fan 2,5 mm/130 g Pad (150 mm)	1	
MIE6511211	12	Fan 5,0 mm/130 g Pad (150 mm)	1	
MIE6811211	12	Fan 8,0 mm/130 g Pad (150 mm)	1	
	13	Double Row Bearing	1	D, E
	14	Felt Washer	1	D, E
	15	Washer	1	D, E
	16	Retaining Ring	1	D, E
8995603201	17	Spindle 5/16"	1	E
8995604121	18	Pad Wrench 24mm for 125/150 mm	1	
8995603211	19	Brake Seal	1	
8292502011	20	Backing Pad Net 125 mm 5" 5/16" 28H Medium 100 g	1	
8292502511	20	Backing Pad Net 125 mm 5" 5/16" 28H Medium 130 g	1	
8292605011	20	Backing Pad Net 150 mm 6" 5/16" 48H Medium 130 g	1	
	25	Type Label EU	1	X
	25	Type Labels CN	1	X
	35	Screws	2	B

4) Tightening torque 35 Nm

\* Spare parts only available to authorized repairers.